

File Name: canon faxphone 16 manual.pdf

Size: 2787 KB

Type: PDF, ePub, eBook

Category: Book

Uploaded: 30 May 2019, 15:50 PM

Rating: 4.6/5 from 671 votes.

Status: AVAILABLE

Last checked: 2 Minutes ago!

In order to read or download canon faxphone 16 manual ebook, you need to create a FREE account.

[**Download Now!**](#)

eBook includes PDF, ePub and Kindle version

[Register a free 1 month Trial Account.](#)

[Download as many books as you like \(Personal use\)](#)

[Cancel the membership at any time if not satisfied.](#)

[Join Over 80000 Happy Readers](#)

Book Descriptions:

We have made it easy for you to find a PDF Ebooks without any digging. And by having access to our ebooks online or by storing it on your computer, you have convenient answers with canon faxphone 16 manual . To get started finding canon faxphone 16 manual , you are right to find our website which has a comprehensive collection of manuals listed.

Our library is the biggest of these that have literally hundreds of thousands of different products represented.



Book Descriptions:

canon faxphone 16 manual



This guide describes the basic use of the machine. Read this guide after finishing the machine setup. Read Important Safety Instructions first. Keep this manual for future reference. For information about advanced operations and specifications, see the eManual included on the User Software CDROM. Be sure to read this manual before using the machine.

Basic Operation Guide The Basic Operation Guide describes common use and basic functions of the copy, fax, and print functions.

WARNING To use the machine safely, always pay attention to these warnings. Indicates a situation that may lead to injury to persons or damage to equipment. Read this chapter first.

Paper stopper Use the paper stopper to prevent paper from falling out of the output tray.

Toner guides When inserting the toner cartridge, fit the protrusions on the toner cartridge into these guides. Write the serial number on the back cover of this guide for reference when contacting the Canon Customer Center.

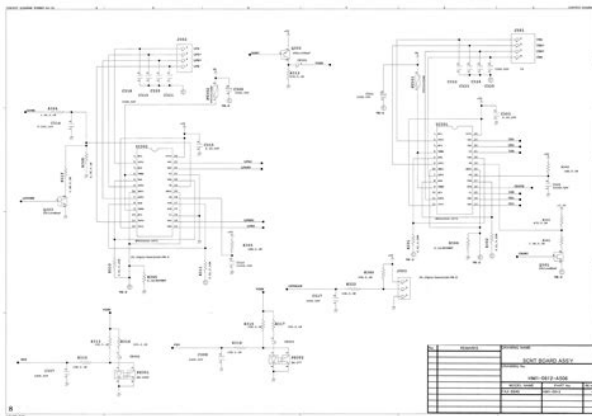
USB port Connect to a computer via a USB cable. Press the key to switch between the Copy and Fax modes. If you do not operate the machine for a while, the machine returns to the Fax mode standby mode automatically. When placing nonstandard documents such as heavy paper, small paper, or booklets. Check available documents.

Size Width x Length Maximum Weight Maximum 4.4 lb 2 kg Capacity 1 Sheet Use the platen glass. Place your document face down. Align the document guides tightly to the width of the document. If the document guides are too loose or too tight, this may result in IMPORTANT IMPORTANT. If you load inappropriate paper repeatedly, this may cause paper jams. Check if the type of paper is appropriate.

Step Paper such as Legal, Letter, Statement, Executive, and envelopes can be used. Open the front cover and the lower front cover. Spread the paper guides a little wider than the paper.

<http://www.easymexx.de/userfiles/download-parallels-updates-manually.xml>

- **canon faxphone 16 manual, canon faxphone 16 manual download, canon faxphone 16 manual pdf, canon faxphone 16 manual software, canon faxphone 16 manual instructions.**



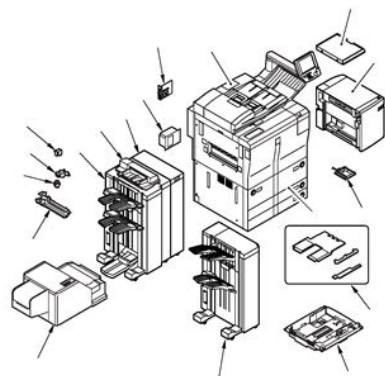
Gently load the paper into the paper cassette with the print side face up, until the edge of the paper stack meets the back of the paper cassette. Envelopes Before Loading Flatten envelopes Loosen any stiff corners of the to release any envelopes, and fl atten any remaining air. When using the Toner Save mode, the output may not be clear, as subtle details, such as thin lines and light colors, may not be clearly reproduced. View the details of a copy job or cancel the job. Open a document from an application, and then open the Print window. Select your printer. Print a DoubleSided Document You can print on both sides of paper. Open a document from an application, and then open the Print window. Select your print, and then open the Printing Preferences window. This feature allows you to save paper or to view several pages at once. Open a document from an application, and then open the Print window. Open a document from an application, and then open the Print window. Select your printer, and then open the Printing Preferences window. You can then combine the printed pages to create a large poster. Select your printer, and then open the Printing Preferences window. Open a document from an application, and then open the Print window. Select your printer, and then open the Printing Preferences window. View the details of a print job or cancel the job. GroupA 2 Destin Display the address book menu. User01 01234567 Display all registered destinations. Destination Max 40 0123456789. CANON 0123456789 GroupA 2 Destin User01 01234567 Repeat steps 10 and 11 to add more destinations as needed. Destination. Send Press Start Enter coded dial no. See "Using the Machine for Fax. If the call is a fax, the machine starts receiving the fax. If the call is a voice call, the handset rings until it is answered or the caller hangs up. Pick up the handset or the receiver of the external telephone to answer the call. If the call is a fax, you will hear a beep. See "Receiving Faxes in Manual Mode," <http://mcsfood.com/images/download-panasonic-kx-t7730-user-manual.xml>



You can also delete unnecessary faxes or forward them to other destinations. Cleaning the Exterior and Interior Clean the exterior and interior of the machine to prevent toner powder and paper dust from accumulating inside. For safety, be sure to turn OFF the machine and disconnect all cables from IMPORTANT IMPORTANT. Insert the toner cartridge. Close the toner cover, and then lower the scanning platform. Reconnect all the cables, and then turn ON the power. CAUTION When closing the scanning platform Be careful not to get your fingers caught. Cleaning the Platen Glass Turn OFF the machine and disconnect all the cables from the machine. Remove any documents from the platen glass. Open the feeder. When the toner has almost run out, a message appears in the display and streaks may appear on printed pages. Check the toner level, and replace the toner cartridge if necessary. Cart. Replacing the Toner Cartridge You can purchase replacement toner cartridges from your local authorized Canon dealer. Supported genuine Canon toner cartridge Canon Cartridge 128 Starter. It is required when you remove the toner cartridge for printer maintenance or other purposes. Shake the toner cartridge 56 times to evenly distribute the toner. Open the feeder cover and lift the lock release lever. Remove any jammed document by pulling it gently. Hold the green grip, and then open the inner cover. Step Step Check and remove the jammed paper inside the machine. Lift the scanning platform, and then open the toner cover. Remove the toner cartridge. Remove any jammed paper by pulling it gently. Push up the green colored part A, and then pull the paper exit guide B to open. When the leading edge emerges, hold both sides of the jammed paper and carefully pull it out. Insert the toner cartridge, close the toner cover, and then lower the scanning platform. Step Step Open the front cover and the lower front cover, and then remove any paper loaded in the paper cassette.

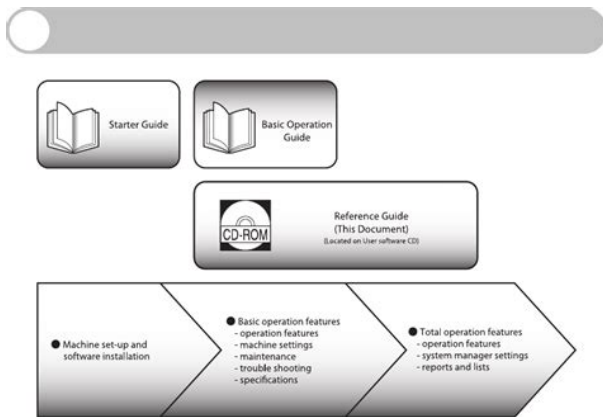
Reload paper into the paper cassette, and then close the front cover. Check and remove the jammed paper in the rear cover. Prepare the replacement toner cartridge. If Canon genuine toner cartridge is not Do not attempt to disassemble or repair the 10 seconds, and then turn it ON again. A dedicated extension locations can be obtained by calling Canon Customer Care Center off a PBX Private Branch eXchange unit without "Call 1800OKCANON. Further, Canon U.S.A. reserves the right to make changes in the specifications of the products described in this guide at any time without notice and without obligation to notify any person of such changes. A dedicated extension off a PBX machine without "Call Waiting" can be used with your FAXPHONE L75. Key telephone systems are not recommended because they send nonstandard signals to individual telephones for ringing and special codes, which may cause a fax error. Users should contact Canon Authorized Service Facilities for servicing of equipment. Information regarding Authorized Service Facility locations can be obtained by calling the Canon Customer Care Center. Preface Canon U.S.A. A dedicated extension off a PBX machine without "Camp On" signals is also permissible with your FAXPHONE L75. Key telephone systems are not recommended because they send nonstandard signals to individual telephones for ringing and special codes, which may cause a fax error. It also explains how to get the most out of the documentation provided, and gives important safety instructions. Welcome.12 Main Features of the FAXPHONE.13 Using Your Documentation.14 How to

Use This Guide.14 Type Conventions Used in This Guide.15 Customer Support.16. Your machine is a complete multifunction system for your home or small office. It combines the following essential office machines into a single, convenient desktop machine.



<https://www.interactivelearnings.com/forum/selenium-using-c/topic/14606/bosch-iva-40-manual>

There is also information on selecting and loading print media and documents, instructions on machine maintenance, and a troubleshooting section to refer to if you have difficulties operating your machine. If you still have questions on how to use your machine, please contact the Canon Customer Care Center. They will be happy to answer your questions. The warranty information describes Canon's limited warranty for its products. Be sure to read this warranty information. If you have a problem with the machine's operation, try to solve it by referring to the information in Chapter 13. For all service, contact the Canon Customer Care Center. Keep the area free so you can reach the outlet quickly. If you notice anything unusual smoke, strange odors, noises around the machine, unplug the machine immediately. Contact the Canon Customer Care Center. You will find instructions for unpacking, assembling, and connecting your machine, and learn how to install the cartridge and load paper. Choosing a Location for the FAXPHONE.22 Dimensions.22 Unpacking the FAXPHONE.23 Do You Have Everything.23. When lifting the machine out of the box or when moving it, lift it from the recessed areas on the sides of the machine. Keep them in case you need to transport the machine in the future. Remove all shipping tapes from the machine. The actual shipping materials may differ in shape, quantity, and position from the ones shown above. Insert the ends of the document support into the slots on the machine. Setting Up Insert the tabs of one of the support trays into the corresponding slots above the face. Then connect the other end into a properly grounded 120 V AC threeprong outlet. Lift the latch and open the front cover. Do not try to open the front cover without lifting the latch since this may damage your machine. Remove the new FX3 cartridge from its protective bag.



Hold the cartridge by its handle and insert it into the machine as far as it will go, making sure that its tabs are aligned with the rails inside the machine. For complete details on paper and other print media for use with your machine, see Chapter 5. Before loading paper, be sure to read the following. The laser printing process uses high temperatures to fuse toner to the paper. Prepare a stack of paper by tapping it on a flat surface to even its edges. Open the paper guides to the approximate width of the stack. Adjust the paper delivery selector if necessary 1 p. 57. For details on how to change the paper size setting, see p.59. Testing the FAXPHONE Once you have assembled your machine, installed the cartridge, and loaded paper, you can make sure your machine is printing properly by making several copies of a. You will also find instructions for registering the sender information that you are required to enter. Guidelines for Entering Numbers, Letters, and Symbols.32 Correcting a Mistake.34 Registering Required Sender Information.35 What is Sender Information.35 Registering Your Sender Information.36 Setting the Telephone Line Type.38. Registering Information CANEN CANON Chapter 3. Press Data Registration.If you are unsure of your telephone line type, check with your local telephone company. Your machine is factoryset to operate for tone dialing TOUCH TONE setting. If you need to change this setting for pulse dialing ROTARY PULSE setting, follow this procedure Open the onetouch speed dialing panel. You can select whether the time information in your machine changes to match the daylight saving time system and set the day and time when the daylight saving time starts and ends. Document Requirements.42 Scanned Area of a Document.42 Loading Documents.43 Adding Pages to the Document in the ADF.44 Chapter 4 Chapter 4 Document Handling Document Handling. The last and first page should overlap by about one inch 2.5 cm. Print Media Requirements.52 Printable Areas.



53 Selecting and Loading Print Media.54 Paper.54 Envelopes.54 Transparencies.56 Selecting FaceUp or FaceDown Delivery.57 Changing the Paper Size Setting.59 Adjusting the Toner Saver Setting.511 Chapter 5. However, Canon cannot guarantee consistent performance on these. When printing on envelopes, be sure to use faceup delivery 1 p. 57. Arrange the stack of envelopes on a firm, clean surface, and press down firmly on the edges to make the folds crisp. Adjust the paper delivery selector to faceup delivery. First, the paper travels to the cartridge where a laser beam “draws” the print image on the drum, which in turn applies toner to the paper. If you want to load a different paper size 1 p. 52, follow this procedure to change the paper size setting Open the onetouch speed dialing panel. Press Data Registration. This will extend the cartridge life. By enabling this setting, print quality will be reduced. For highest print quality, disable this setting. What is Speed Dialing.62 Speed Dialing Methods.62 Registering OneTouch Speed Dialing.63 Registering Coded Speed Dialing.68 Registering Group Dialing.613 Using Speed Dialing.616 Sending a Document With Speed Dialing.616 Making a Telephone Call With Speed Dialing.617 Printing Speed Dialing Lists.618 Chapter 6. To continue registering other one touch speed dialing buttons, press Data Registration and repeat the procedure from step 5. or To end registering onetouch speed dialing buttons, press Stop to return to standby mode. Press Stop to return to standby mode.OPTIONAL SETTING Speed Dialing. To continue registering other coded speed dialing codes, press Data Registration and repeat the procedure from step 7. or To end registering coded speed dialing codes, press Stop to return to standby mode. or To register the transmission type for the current code you are registering,. Press Stop to return to standby mode.

To check your entries, you can print a list of all the numbers and names registered for coded speed dialing to it when dialing. You can then send to all the fax numbers in the group in one quick and simple operation. Sending a Document With Speed Dialing Follow this procedure to send a document using onetouch speed dialing, coded speed dialing, or group dialing. You may want to keep these lists near your machine to refer to them when dialing. Follow this procedure to print speed dialing lists Open the onetouch speed dialing panel. Canon AUSTRALIA Canon AUSTRALIA REGULAR TX Canon CANADA Canon GROUP 2 Canon ITALIA Canon OPTICS IF YOU PRESS THE DESTINATIONS ARE LISTED IN ALPHABETICAL ORDER SORTED.Canon GROUP 1 1 49 39 25 25 Canon FRANCE Canon UK GROUP DIAL Canon GROUP 1 03 3758 2111 Canon TOKYO 516p488

6700 Canon U.S.A. Preparing to Send a Fax.72 Documents You Can Fax.72 Setting the Scanning Resolution.72 Setting the Scanning Contrast.73 Dialing Methods.74 Sending Methods.75 Memory Sending.75 Manual Sending Via the Handset.76 Canceling Sending.78. The higher the resolution the higher the output quality at the other end, but the slower the transmission speed. Adjust according to how light or how dark your document is. Follow this procedure to set the scanning contrast for sending and copying Open the onetouch speed dialing panel. Memory Sending Memory sending is a quick and easy way to send a document. As the machine scans the first page of a multipage document into its memory, it begins calling the other party and transmitting the information even as the remaining pages are being scanned. This section explains these two methods. Manual Redialing Press Redial to dial the last number you dialed with the numeric buttons. This starts redialing regardless of whether automatic redialing is enabled. Canceling Manual Redialing To cancel manual redialing, press Stop. If you selected OFF in step 8 Press Set. Press Stop to return to standby mode.

<https://exactblue.com/wp-content/plugins/formcraft/file-upload/server/content/files/162718d50ac704--brand-transferpettor-manual.pdf>

If you selected ON in step 8 Press Set twice. All subsequent destinations must be entered within 10 seconds. This is called Delayed sending or Timer sending. By using this feature, you can take advantage of lower long distance rates at night, for example. Press Delayed Transmission.Press Delayed Transmission.You can activate reception directly from your machine, or if your telephone is located away from your machine, you can dial the remote receiving ID on the telephone to activate reception this is called Remote reception. If the caller wants to send a fax after talking to you, ask them to press the start button on their fax machine.Your machine will answer all calls as fax calls. Setting FAX ONLY MODE Follow this procedure to set the receive mode to FAX ONLY MODE Open the onetouch speed dialing panel. If your machine cannot print a received fax because it is performing another task that prevents it from doing so, it will receive the fax in memory. If your machine is connected through a PBX or other telephone switching system, you will need to dial the outside line access number first, and then the number of the party you are calling.If your machine is set for pulse dialing 1 p. 38, follow this procedure to set your machine temporarily for tone dialing Press Hook. Open the onetouch speed dialing panel. Press Memory Reference. Special Features DOC.Alternatively, press Clear to delete the entire number. Press Memory Reference.Press Stop to return to standby mode.This feature is useful to prevent reception of unsolicited faxes e.g. junk mail. Follow this procedure to enable or disable receiving restriction Open the onetouch speed dialing panel. Press Stop to return to standby mode.Documents You Can Copy.102 Making Copies.102 101 Chapter 10 Copying. The machine copies at 400 dpi for single copies, and at 200 300 dpi for multiple copies. For best quality output, make one copy at a time. You will find samples of some of these reports and instructions for printing.

Refer to the pages indicated for more details.You will also find instructions for replacing the cartridge. Periodic Cleaning.122 Cleaning the Machine's Exterior.122 Cleaning the Machine's Interior.122 Cleaning the Scanner Components.124 Replacing the cartridge.126 Chapter 12 Chapter 12. Since documents in memory are erased when the power is disconnected, print or send any documents stored in memory before disconnecting the power cord 1 p. Use a clean, soft, dry, lintfree cloth to remove any toner or paper debris from the machine's interior shaded area in the illustration. While holding the operation panel open, clean these components Separation guide and separation roller. Although Canon manufactures many different cartridges, the FX3 cartridge is the only one designed for use with your machine. To purchase this cartridge, contact the Canon Customer Care Center. To recycle your used cartridge, simply follow the instructions included with your new FX3 cartridge. Use both hands to close the front cover. 128 Maintenance Chapter 12. Clearing Jams.132 Jams in the ADF.132 Paper Jams.133 Jams in the Paper Delivery Slots.133 Jams Inside the Machine.133 LCD Messages.138 Paper Feeding Problems.1313 Printing Problems.1314. Contact the

Canon Customer Care Center. When you are finished, close the operation panel by pressing it down from the center. Try clearing the jam by following the procedure in Jams in the Paper Delivery Slots below. If this does not clear the jam, follow the procedure in Jams Inside the Machine. Jams in the Paper Delivery Slots Follow this procedure to clear a paper jam in the paper delivery slots You do not need to unplug your machine when clearing paper jams. Be very careful not to touch it so as to avoid injury. Move the paper release lever forward. Wait five seconds, then plug it back in. If the message remains in the LCD, contact the Canon Customer Care Center. Troubleshooting 139. If the Alarm light remains lit, contact the Canon Customer Care Center.

Nothing prints. Then plug it back in and try sending again. If you still cannot send, contact the Canon Customer Care Center. Receiving Problems Cannot receive a fax automatically. If you have set ANS.MACHINE MODE, confirm that an answering machine is connected to the machine and that it is turned on with an outgoing message properly recorded 1 p. The other party's fax machine may not be functioning properly. If the LCD remains blank, unplug the machine and wait five seconds, then plug it back in. If the LCD still remains blank, contact the Canon Customer Care Center.

Chapter 13 1319. Do not attempt to disassemble or repair the machine yourself. Understanding the Menu System.142 Printing a List to Check the Current Settings.142 Accessing the Menus.143 USER SETTINGS Menu.144 REPORT SETTINGS Menu.145 TX Transmission SETTINGS Menu.146 RX Reception SETTINGS Menu.147 PRINTER SETTINGS Menu.148 POLLING BOX Menu.149. RX MODE Selects the receive mode 1 Chapter 8.If you select ON, you can select the direction of the reduction. Setting Description SETUP FILE Sets up the polling box to hold a document to be polled 1 p. 911. FILE NAME Enters the name for the polling box. Setting Description RX RESTRICTION Restricts reception of faxes to the numbers registered for speed dialing on your machine 1 p. 916. If you select ON, you can select additional subsettings. General Specifications.A2 Printer.A2 Facsimile.A2 Copier.A3 Telephone.A3 Appendix A Specifications. See Polling box button 212, 910, 914 definition 99 receiving. See Polling receiving sending. See Polling sending Polling box changing settings 914, 915 deleting settings 914, 915. See also RX Reception REPORT setting 145 RX RESTRICTION setting 916, 1410 RX SETTINGS menu. See TX Transmission REPORT Transparencies loading 56 requirements 52 selecting 56 Tray multipurpose 211 multipurpose, cover 24, 26, 211. This page requires Javascript. Modify your browsers settings to allow Javascript to execute.

See your browsers documentation for specific instructions. To install your download click on the name of the downloaded file.Warranty replacement shall not extend the warranty period of the malfunctioning Product. This warranty shall not extend to consumables, such as paper, as to which there shall be no warranty or replacement. You will be responsible for installing the user replaceable items in your Product. Repairs of such Canon brand peripheral equipment shall be governed by the terms of the Separate Warranty.Nor does this warranty extend to any Product on which the original identification marks or serial numbers have been defaced, removed, or altered. The warranty in the preceding sentence applies to Toner and DrumsA defective Toner or Drum returned to Canon U.S.A., Inc., Canon Canada, Inc. or anThe warranty period for anyDrum i.e. Canon USA, Inc., Canon Canada, Inc. or a Dealer. To obtain the shipping address of Canon U.S.A, Inc. or. Canon Canada, Inc., please call the Canon U.S.A., Inc. Help Desk at 18008284040 or Canon Canada Technical Support at 1800OKCANON. Shipping charges, if any, must be prepaid. If your Toner or Drum is covered by thisInc. or the Dealer from whom you purchased the Toner or Drum.Toner or Drum yield will vary depending on average density of originals copied and otherCanon which damage the Toner or Drum or cause abnormally frequent service calls or service problems. Nor doesKeep from contact with oxidizing materials. Refer to instructions for handling and storing. The driver may be included in your OS or you may not need a driver. Recommended Drivers File Name Date File Size Optional Drivers File Name Date File Size Recommended Software File Name Date File Size Optional Software File Name Date File Size Recommended Manuals File Name Date File Size Optional

Manuals File Name Date File Size Scroll down to easily select items to add to your shopping cart for a faster, easier checkout.

Visit the Canon Online Store It provides up to two full years of service and support from the date you purchased your Canon product. Protect against unforeseen repair costs, excessive downtime, and enjoy peace of mind for years to come knowing your new equipment is fully covered. It provides up to three full years of service and support from the date you purchased your Canon product. Protect against unforeseen repair costs, excessive downtime, and enjoy peace of mind for years to come knowing your new equipment is fully covered. It provides up to four full years of service and support from the date you purchased your Canon product. Protect against unforeseen repair costs, excessive downtime, and enjoy peace of mind for years to come knowing your new equipment is fully covered. It provides up to five full years of service and support from the date you purchased your Canon product. Protect against unforeseen repair costs, excessive downtime, and enjoy peace of mind for years to come knowing your new equipment is fully covered. See your browsers documentation for specific instructions. To install your download click on the name of the downloaded file. Please click below to find a quick resolution to your inquiry. The driver may be included in your OS or you may not need a driver. Recommended Drivers File Name Date File Size Optional Drivers File Name Date File Size Recommended Software File Name Date File Size Optional Software File Name Date File Size Recommended Manuals File Name Date File Size Optional Manuals File Name Date File Size Warranty replacement shall not extend the original warranty period of the Product. Note that a dated proof of purchase is required at the time of service. This requirement will be satisfied by providing a copy of your dated bill of sale or invoice. You must contact an ASF during such ASF's normal business hours to schedule the repair.

If shipping is involved, it is your responsibility to properly package and send the Product at your cost to the ASF, together with your dated proof of purchase and a complete explanation of the problem. A Product covered by this limited warranty will be repaired and returned to you without charge by the ASF. Repairs not covered under this warranty will be charged to you at the then current service rates of the ASF. 2. EXCHANGE SERVICE A Canon Help Desk technician will attempt to diagnose the nature of the problem and, if possible, correct it over the telephone. If the problem cannot be corrected over the telephone, a Return Authorization Number RA will be issued to you. You will be asked for the Product serial number and other information pertaining to your defective Product and for a ship to location for the replacement Product street address only, no P.O. box. You must also provide your major credit card number. Your credit card will be charged in an amount up to the cost of a new Product a if your defective Product is not received by Canon USA within 10 business days after you receive the replacement Product, b if the defects in the defective Product are not covered by this limited warranty; or c if the warranty period on the Product has expired or has not been sufficiently established by you by supplying the appropriate documentation. After receipt of the replacement Product with instructions and a prepaid waybill, follow the instructions on how to ship the defective Product to Canon USA. You must return the defective Product in the shipping carton in which the replacement Product was packed, include the Return Authorization Number RA, a copy of your dated proof of purchase bill of sale, and a complete explanation of the problem. The Canon USA Help Desk must receive your request for this service by 3 p.m.

ET, Monday through Friday, except holidays to ensure that the replacement Product expedites by the next business day two 2 business day EXCHANGE SERVICE for Alaska and Hawaii. Canon USA does not guarantee next business day service in the event of the occurrence of factors beyond Canon USAs reasonable control. The replacement Product you receive will be a refurbished or reconditioned unit and will be covered for the balance of the period remaining on your original limited warranty. Canon USA shall have no responsibility for such items except for compatible Canon brand peripheral equipment covered by a separate warranty "Separate Warranty". Repairs of such

Canon brand peripheral equipment shall be governed by the terms of the Separate Warranty. Nor does this warranty extend to any Product on which the original identification marks or serial numbers have been defaced, removed, or altered. The warranty in the preceding sentence applies to Toner and Drums. A defective Toner or Drum returned to Canon U.S.A., Inc., Canon Canada, Inc. or an authorized Dealer. The warranty period for any Drum is i.e. Canon USA, Inc., Canon Canada, Inc. or a Dealer. To obtain the shipping address of Canon U.S.A, Inc. or Refer to instructions for handling and storing. Scroll down to easily select items to add to your shopping cart for a faster, easier checkout. Visit the Canon Online Store Maximum Monthly Duty Cycle 7,500. It provides up to three full years of service and support from the date you purchased your Canon product. CarePAK provides tollfree Canon technical support and includes Canon's superb InstantExchange replacement program. Protect against unforeseen repair costs, excessive downtime, and enjoy peace of mind for years to come knowing your new equipment is fully covered. Please check your inbox, and if you can't find it, check your spam folder to make sure it didn't end up there. Please also check your spam folder.

<http://superbia.lgbt/flotaganis/1648510683>